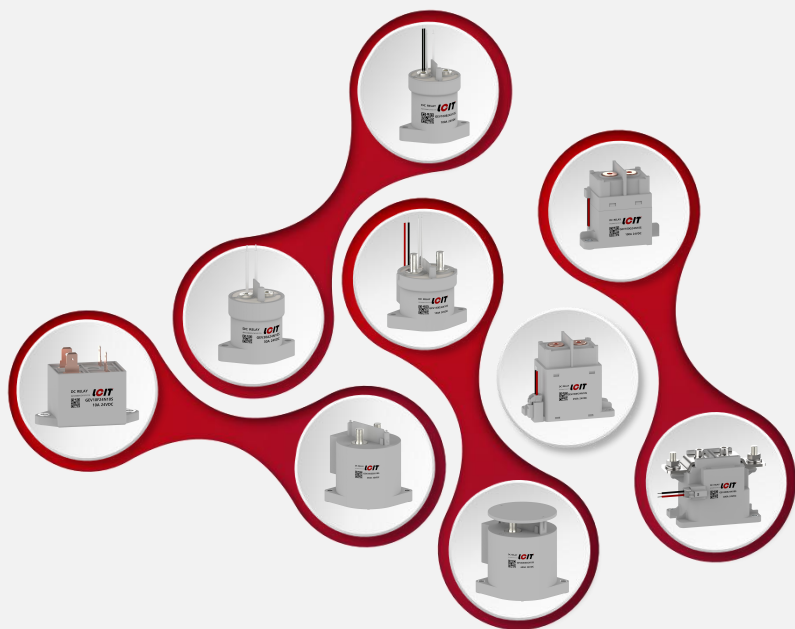


新随我动掣电而行

专注新能源车辆及充放电设施、风光储能系统等领域



750A GEV750E

应用领域 Application field

高压直流 High voltage direct current	工商业车辆、通讯、低速车辆、家庭储能、5G通讯、充换电站 Industrial and commercial vehicles, communications, low-speed vehicles, home energy storage, 5G communications, charging and changing power stations 电动汽车、环卫车辆、充电桩、光伏、工商业储能、重卡、岸电 Electric vehicles, sanitation vehicles, charging piles, photovoltaic, industrial and commercial energy storage, heavy trucks, shore power	
--	---	---

线圈参数 Coil parameter : 20°C 【±10%】

额定电压 Rated voltage	吸合电压 Pick-up voltage	释放电压 release voltage	最大吸合电压 Maximum pick-up voltage	最大动作电流 Maximum operating current	最小保持电压 Minimum holding voltage	平均保持电流 Mean holding current
24 VDC	≤ 18 VDC	≥ 12 VDC	32 VDC	0.9A	13.5V	0.17A
9-36 VDC	≤ 9 VDC	≥ 6 VDC	36 VDC	3.6A	7.5V	0.3A@12V 0.18A@24V
36-72 VDC	≤ 32 VDC	≥ 18 VDC	72 VDC	1.2A	22V	0.12A@36VDC 0.08A@60VDC 0.04A@72VDC

性能参数 Performance parameter : 20°C

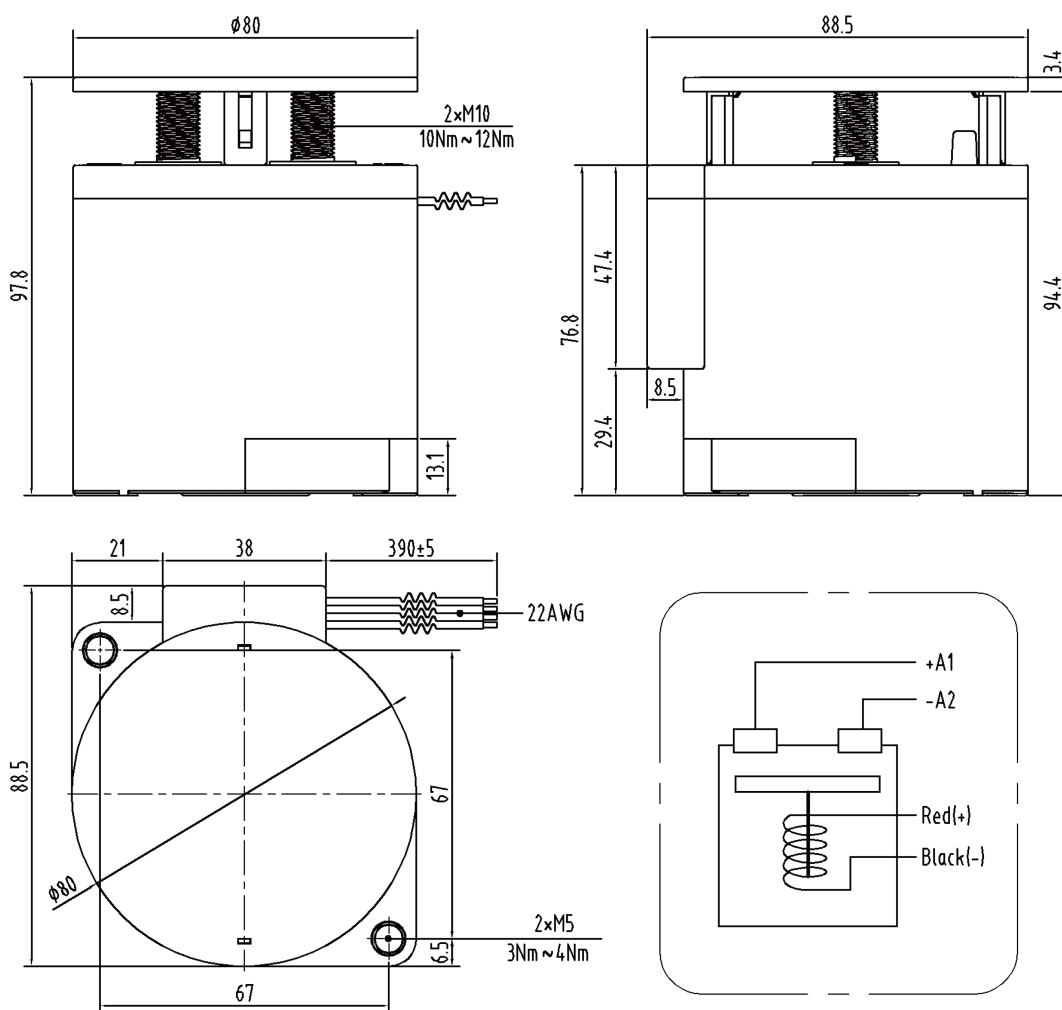
主触点形式 Main contact form	SPST-NO
辅助触点 Auxiliary contact	SPST-NO
负载电压 Load voltage	12 ~ 1000Vdc
负载电流 Load current	1 ~ 750A
短时耐受电流及时间 Short-time withstand current and time	800A 600Sec. 1800A 20Sec.
最大分断电流 Maximum breaking current	2500A (450VDC) 1次
接触电阻 (初始) Contact resistance (Inception)	≤ 1mΩ (at 750A)
吸合时间 Pickup time	Max. 50ms
弹跳时间 Bounce time	Max. 5ms
释放时间 Release time	Max. 20ms
机械耐久性 Mechanical Endurance	3×10 ⁵ 次
电耐久性 (阻性负载) Electrical durability (Resistive load)	750A 450Vdc 1×10 ³ 次 400A 750Vdc 1×10 ³ 次
辅助触点最大负载 Maximum load of auxiliary contact	2A, 30VDC / 3A, 125VAC
辅助触点最小负载 Minimum load of auxiliary contact	100mA, 8VDC
辅助触点接触电阻 Auxiliary contact contact resistance	0.50Ω @ 30VDC / 0.15Ω @ 125VAC
介质耐压触点与线圈间 Between dielectric withstand voltage contact and coil	4500VAC 1min
介质耐压断开触点间 Between dielectric withstand voltage breaking contacts	4500VAC 1min
初始绝缘电阻 Initial insulation resistance	1000mΩ (1000Vdc)
振动 Vibration	10Hz ~ 500Hz 49m/s ²
冲击稳定性 Impact stability	196m/s ²
冲击强度 Impact strength	490m/s ²
湿度 humidness	5% ~ 85%RH
温度 temperature	-40°C ~ 85°C
海拔高度 altitude	≤ 4000m
重量 weight	约about 1100g

订货标记示例 Order mark example

GEV	750	E	36	X	10	S
↓	↓	↓	↓	↓	↓	↓
LCIT企业 EV继电器代码 LCIT enterprise EV relay code	额定电流A Rated current A	壳体编码 Shape coding	线圈电压 Coil voltage 24:24Vdc 36:9-36vdc 72:36-72vdc	辅助触点 Auxiliary contact N = None X = SPST-NO C = SPST-NC	负载电压 Load voltage 10=12-1000Vdc	主触点极性 Main contact polarity S=有 have B=无 none

外形尺寸、接线图、安装孔尺寸

Overall dimensions, wiring diagram, mounting hole dimensions



- 产品部分外形尺寸未注尺寸公差，
当外形尺寸 ≤ 10 mm，公差 ± 0.3 mm；
当外形尺寸 在(10 ~ 50)mm之间时，公差为 ± 0.5 mm；
当外形尺寸 ≥ 50 mm，公差为 ± 0.8 mm。
- 公差仅供参考，当与实物不一致时，请以实物尺寸为准。

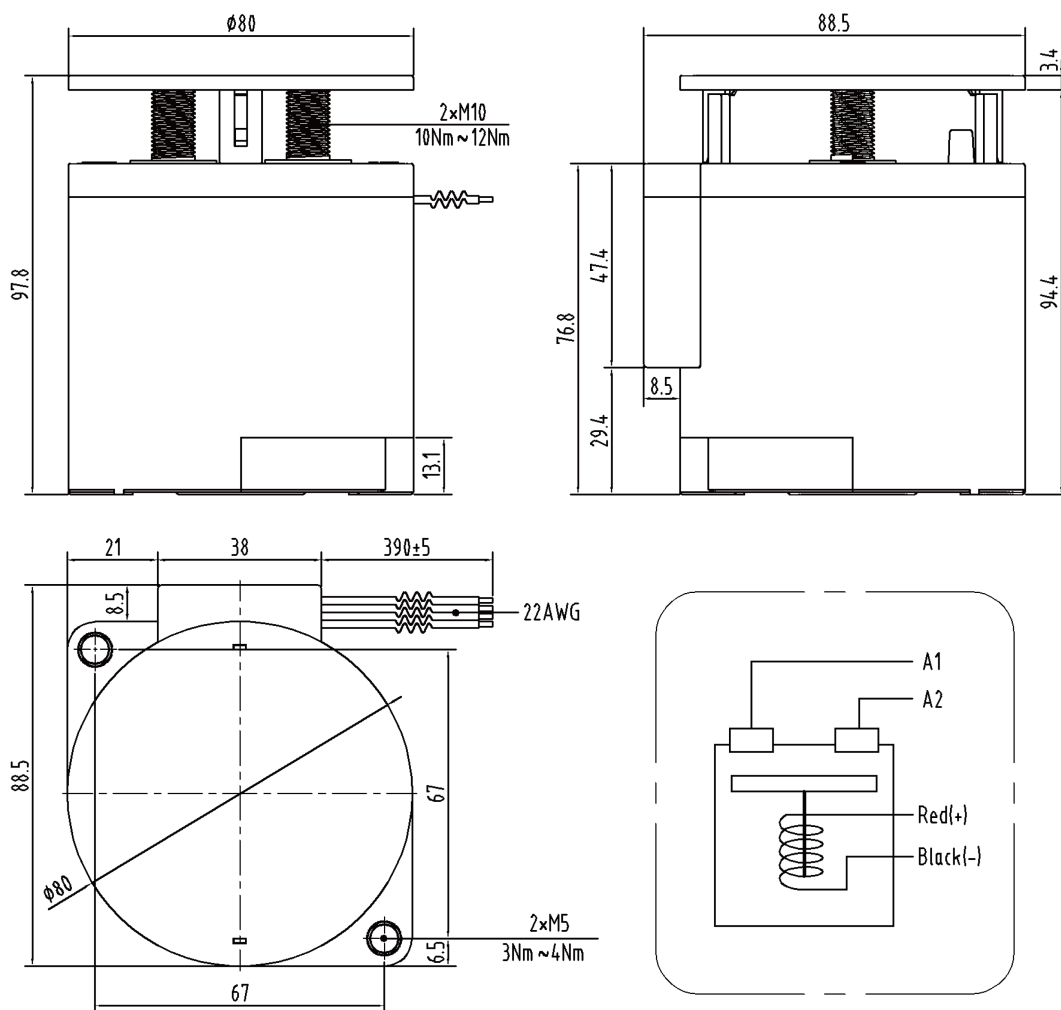
- No dimensional tolerances have been noted in the overall dimensions of some products.
When the overall size is ≤ 10 mm, the tolerance is ± 0.3 mm;
When the overall size is between (10 ~ 50)mm, the tolerance is ± 0.5 mm;
When the overall size is ≥ 50 mm, the tolerance is ± 0.8 mm.
- Tolerance is for reference only, when inconsistent with the real size, please refer to the real size.

订货标记示例 Order mark example

GEV	750	E	36	X	10	B
↓	↓	↓	↓	↓	↓	↓
LCIT企业 EV继电器代码 LCIT enterprise EV relay code	额定电流A Rated current A	壳体编码 Shape coding	线圈电压 Coil voltage 24:24Vdc 36:9-36vdc 72:36-72vdc	辅助触点 Auxiliary contact N = None X = SPST-NO C = SPST-NC	负载电压 Load voltage 10=12-1000Vdc	主触点极性 Main contact polarity S=有 have B=无 none

外形尺寸、接线图、安装孔尺寸

Overall dimensions, wiring diagram, mounting hole dimensions



- 产品部分外形尺寸未注尺寸公差，
当外形尺寸 $\leq 10mm$ ，公差 $\pm 0.3mm$ ；
当外形尺寸 在 $(10 \sim 50)mm$ 之间时，公差为 $\pm 0.5mm$ ；
当外形尺寸 $\geq 50mm$ ，公差为 $\pm 0.8mm$ 。
- 公差仅供参考，当与实物不一致时，请以实物尺寸为准。

- No dimensional tolerances have been noted in the overall dimensions of some products.
When the overall size is $\leq 10mm$, the tolerance is $\pm 0.3mm$;
When the overall size is between $(10 \sim 50)mm$, the tolerance is $\pm 0.5mm$;
When the overall size is $\geq 50mm$, the tolerance is $\pm 0.8mm$.
- Tolerance is for reference only, when inconsistent with the real size, please refer to the real size.

LCITEV高压直流继电器
EV HIGH VOLTAGE DC RELAY



LCIT

Shanghai Lcit Industrial Co.,Ltd.
www.lcitind.com www.lcitind.cn
+86-21-57646228
880 Ziyue Road, Minhang District, Shanghai

©版权 LCIT Corporation2022.
本手册为宣传资料，图片与实物会有差异，以实物为准，手册随时可能更改，恕不另行通知，敬请谅解。