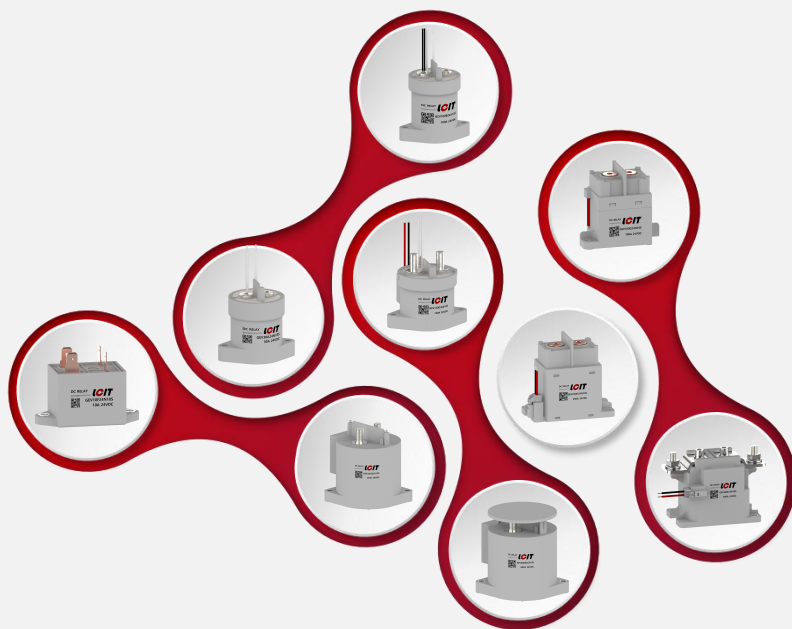


新随我动掣电而行

专注新能源车辆及充放电设施、风光储能系统等领域



10A GEV10K

应用领域 Application field

直流继电器 voltage direct current	直流充电桩, 充电柜, 充放电设备 DC charging pile, charging cabinet, charging and discharging equipment; 测试设备, 电池包, 电动车载应用 Test equipment, battery pack, electric vehicle applications; 电动车辆预充电, 加热器, 空调及辅助设备控制 Electric vehicle pre-charging, heater, air conditioner and auxiliary equipment control; 电机控制电路的绝缘, 工业机械的电路保护等 Motor control circuit insulation, industrial machinery circuit protection, etc.	
--	---	--

线圈参数 Coil parameter : 20°C 【±10%】

额定电压 Rated voltage	吸合电压 Pick-up voltage	释放电压 release voltage	最大吸合电压 Maximum pick-up voltage	额定电阻±5% rated resistance	线圈电流 coil current	线圈功率 Coil power
12 VDC	≤ 7.2 VDC	≥ 1.2 VDC	18 VDC	72 Ω	166 mA	2 W
24 VDC	≤ 14.4 VDC	≥ 2.4 VDC	35 VDC	288 Ω	83 mA	2 W

性能参数 Performance parameter : 20°C

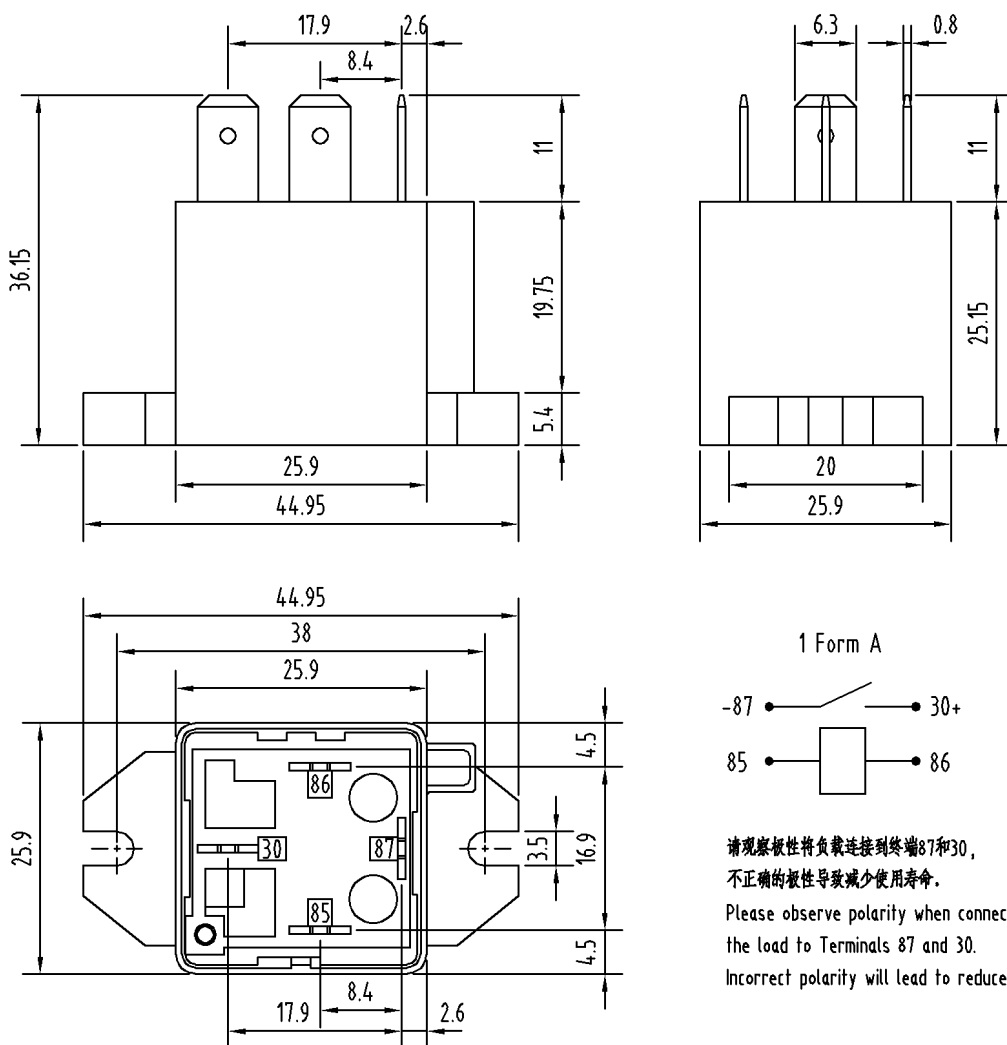
主触点形式 Main contact form	SPST-NO
辅助触点 Auxiliary contact	None
负载电压 Load voltage	12 ~ 110Vdc
负载电流 Load current	1 ~ 10A
最小负载 Minimum load	1A /5Vdc
抗电强度 Electrical resistance strength	600Vrms / 1 min
吸合时间 Pickup time	Max. 7ms
释放时间 Release time	Max. 2ms
机械耐久性 Mechanical Endurance	1×10 ⁷ 次
电耐久性 (阻性负载) Electrical durability (Resistive load)	1×10 ⁵ (10A@80VDC, 1sec ON/1sec OFF, resistive)
绝缘电阻 Resistance of insulation	100MΩ at 500VDC, 50%RH, 25°C
初始绝缘电阻 Initial insulation resistance	<100mΩ at 0.1A/6VDC
振动 Vibration	10 to 40Hz DA 1.27mm; 40 - 70Hz:5g 70-100Hz DA 0.5mm, 100 - 500Hz:5g
冲击稳定性 Impact stability	196m/s ² (20g)
冲击强度 Impact strength	490m/s ² (10g)
防护等级 Environmental protection	IP54
环境温度 Ambient temperature	-40°C ~ 85°C
储存温度 Storage temperature	-40°C ~ 155°C
负载引出端形式 Load outlet form	插片式 Plug in type/PCB式
外形尺寸 Dimensions	44.95mm×25.9mm×36.15mm 插片式 Plug in type 33.5mm×25.9mm×30.65mm PCB
重量 weight	约about 34.5g

订货标记示例 Order mark example

GEV	10	K	24	N	11	S
↓	↓	↓	↓	↓	↓	↓
LCIT企业 EV继电器代码 LCIT enterprise EV relay code	额定电流A Rated current A	壳体编码 Shape coding	线圈电压 Coil voltage 12:12Vdc 24:24Vdc	辅助触点 Auxiliary contact N=None	负载电压 Load voltage 11=12-110VDC	主触点极性 安装方式 Main contact polarity Installation mode S=有/插脚式 S=have/pinouts PS=有/PCB式 PS=have/PCB style

外形尺寸、接线图、安装孔尺寸

Overall dimensions, wiring diagram, mounting hole dimensions



- 产品部分外形尺寸未注尺寸公差，
当外形尺寸 $\leq 10\text{mm}$ ，公差 $\pm 0.3\text{mm}$ ；
当外形尺寸 在 $(10 \sim 50)\text{mm}$ 之间时，公差为 $\pm 0.5\text{mm}$ ；
当外形尺寸 $\geq 50\text{mm}$ ，公差为 $\pm 0.8\text{mm}$ 。
- 公差仅供参考，当与实物不一致时，请以实物尺寸为准。

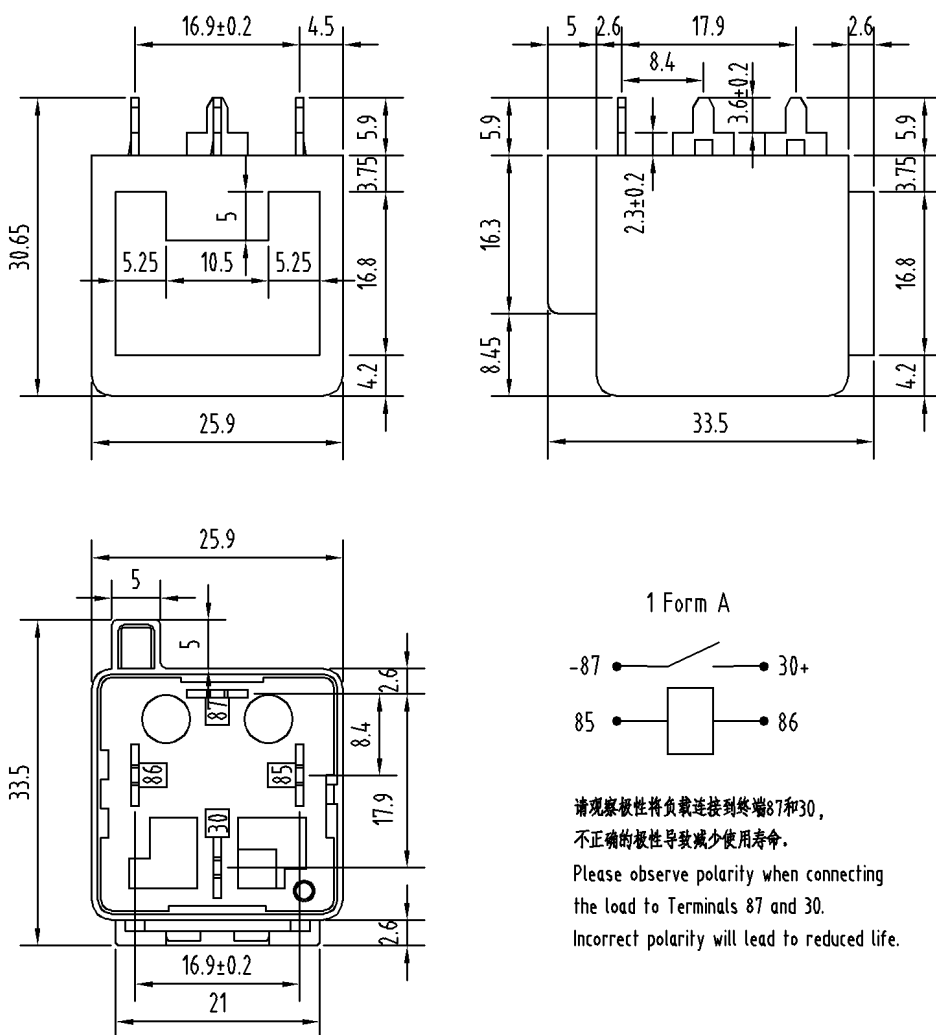
- No dimensional tolerances have been noted in the overall dimensions of some products.
When the overall size is $\leq 10\text{mm}$, the tolerance is $\pm 0.3\text{mm}$;
When the overall size is between $(10 \sim 50)\text{mm}$, the tolerance is $\pm 0.5\text{mm}$;
When the overall size is $\geq 50\text{mm}$, the tolerance is $\pm 0.8\text{mm}$.
- Tolerance is for reference only, when inconsistent with the real size, please refer to the real size.

订货标记示例 Order mark example

GEV	10	K	24	N	11	PS
↓	↓	↓	↓	↓	↓	↓
LCIT企业 EV继电器代码 LCIT enterprise EV relay code	额定电流A Rated current A	壳体编码 Shape coding	线圈电压 Coil voltage 12:12Vdc 24:24Vdc	辅助触点 Auxiliary contact N=None	负载电压 Load voltage 11=12-110VDC	主触点极性 安装方式 Main contact polarity Installation mode S=有/插脚式 S=have/pinouts PS=有/PCB式 PS=have/PCB style

外形尺寸、接线图、安装孔尺寸

Overall dimensions, wiring diagram, mounting hole dimensions



- 产品部分外形尺寸未注尺寸公差，
当外形尺寸 ≤ 10mm，公差 ± 0.3mm；
当外形尺寸 在 (10 ~ 50)mm 之间时，公差为 ± 0.5mm；
当外形尺寸 ≥ 50mm，公差为 ± 0.8mm。
- 公差仅供参考，当与实物不一致时，请以实物尺寸为准。

- No dimensional tolerances have been noted in the overall dimensions of some products.
When the overall size is ≤ 10mm, the tolerance is ± 0.3mm;
When the overall size is between (10 ~ 50)mm, the tolerance is ± 0.5mm;
When the overall size is ≥ 50mm, the tolerance is ± 0.8mm.
- Tolerance is for reference only, when inconsistent with the real size, please refer to the real size.

LCIT EV直流继电器
EV VOLATGE DC RELAY



LCIT

Shanghai Lcit Industrial Co.,Ltd.
www.lcitind.com www.lcitind.cn
+86-21-57646228
880 Ziyue Road, Minhang District, Shanghai

©版权 LCIT Corporation2022.
本手册为宣传资料，图片与实物会有差异，以实物为准，手册随时可能更改，恕不另行通知，敬请谅解。

REV 2022-01