

● **说明 Notes**

驼峰式管道除铁器由两块磁板及一个碳钢或不锈钢箱体构成，两块磁板分别配置在V型溜槽的两侧，确保磁板表面和物料充分接触增强除铁效果。当物料进入驼峰除铁器后落到第一块磁板上，运行方向被改变，再接触第二块磁板增强除铁效果。

The hump pipe iron remover is composed of two magnetic plates and a carbon steel or stainless steel box, and the two magnetic plates are respectively configured on both sides of the V-shaped chute to ensure that the surface of the magnetic plate and the material are fully in contact with each other to enhance the iron removal effect. When the material enters the hump iron remover and falls on the first magnetic plate, the running direction is changed, and then contact the second magnetic plate to enhance the iron removal effect.



● **应用 Applications**

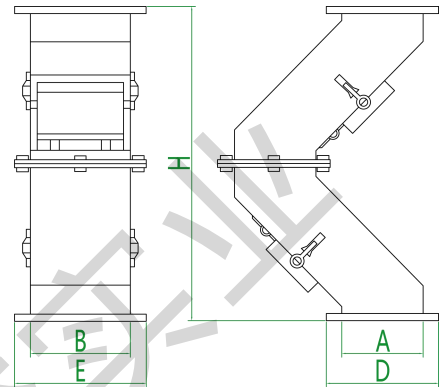
驼峰式管道除铁器在封闭式的生产线，清除重力或者风力传送物料中的铁块，铁屑等铁磁性杂质，以保证物料在入仓之前的清洁，或者保护下道工序中设备的安全。

In the closed production line, the hump pipe iron remover removes iron blocks, iron filings and other ferromagnetic impurities in the gravity flow or wind transfer materials to ensure that the material is clean before storage, or to protect the safety of the equipment in the next process.

● **特点 Characteristics**

1. 磁板应用的一个分离系统。
2. 磁板可以根据客户要求，使用稀土永磁或者铁氧体永磁，管道箱体材料可以使用304 或者316 不锈钢。
3. 斜角设计可以促使物料直接撞击磁板，防止物料堆积结块搭桥，甚至使已经结块的物料裂开，提高分离效率。
4. 结构简单，清洗安装方便。
5. 进出口或者其他特殊要求可以根据客户订做。

1. Magnetic plate application of a separation system.
2. The magnetic plate can use rare earth permanent magnet or ferrite permanent magnet according to customer requirements, and the pipe box material can use 304 or 316 stainless steel.
3. The bevel design can promote the material to directly impact the magnetic plate, prevent the material accumulation and caking bridge, and even make the caked material split, improve the separation efficiency.
4. Simple structure, easy cleaning and installation.
5. Import and export or other special requirements can be customized according to customers.



● **订货代码示例 Order code example**

企业代码	规格 mm	磁力GS	系列	材质SUS	款型
LC	12	G14	G	04	TF
LC	详见技术参数编码	G25: 2500 ----- G14: 14000	G: 管道系列	04: 304 16: 316 16L: 316L	TF: 驼峰铁氧体 TN: 驼峰钕铁硼

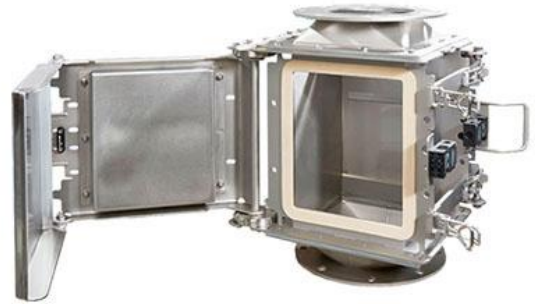
● **技术参数 Technical specification**

编码	规格 mm				
	A	B	H	D	E
12	120	150	470	170	200
15	150	178	750	250	220
20	200	178	750	300	220
25	250	178	750	350	220
30	300	178	750	400	220
35	350	200	1110	450	300
40	400	200	1110	500	300
45	450	200	1110	550	300
50	500	200	1110	600	300

● **说明 Notes**

不锈钢箱体和安装于两侧的稀土磁板以及中间抽屉组成磁板式管道除铁器，用于清除从两块磁板间下落物料中的大块杂铁，尤其对于易粘结或搭桥的物料除铁效果良好。两磁极间中心位置是场强最高区域，通过限定磁板间最大间距使磁板表面达到最佳除铁效果。在磁板式管道除铁器进口处设置中心导向板，下落物料被导向两侧磁极上，也便于杂铁吸附。

The stainless steel box and the rare earth magnetic plate installed on both sides and the middle drawer constitute a magnetic plate pipe iron remover, which is used to remove large pieces of miscellaneous iron from the material falling between the two magnetic plates, especially for the material that is easy to bond or bridge the iron removal effect is good. The center position between the two magnetic poles is the highest field strength area, and the maximum distance between magnetic plates can achieve the best iron removal effect. A central guide plate is arranged at the inlet of the magnetic plate pipe iron remover, and the falling material is directed to the magnetic poles on both sides, which is also convenient for the adsorption of impurity iron.



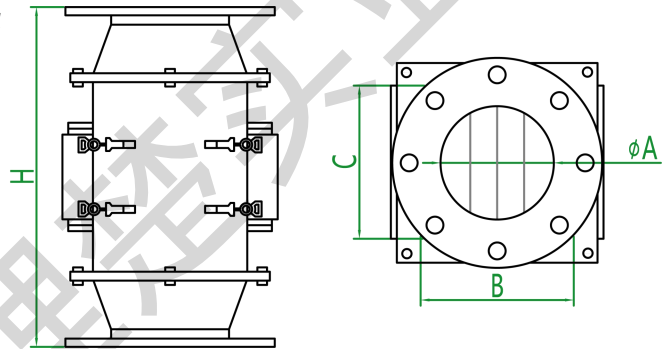
● **应用 Applications**

磁板式管道除铁器，可以方便的安装在封闭的生产线或者加工设备上，从一些易于结块堵塞的物料中，清除铁块，铁屑等，被广泛的应用于食品，药业，烟草，化工等领域。

Magnetic plate pipe iron remover, can be conveniently installed on the closed production line or processing equipment, from some easy to caking blocked materials, remove iron, iron filings, etc., is widely used in food, pharmaceutical, tobacco, chemical and other fields.

● **特点 Characteristics**

- 1.磁板以铰链的形式安装在箱体上，拆装清洗方便。
 - 2.入口处的楔形的隔板可以防止物料搭桥堵塞，甚至打裂聚集的物料，引导到两边的强磁磁板上，有助于铁杂质的充分分离。
 - 3.如果使用稀土永磁磁板几乎可以牢固的吸取所有尺寸的铁磁性物体。
 - 4.进出口或者其他特殊要求可以根据客户订做。
1. The magnetic plate is installed on the box in the form of hinges, disassembling and cleaning.
 2. The wedge partition at the entrance can prevent material bridging blockage, or even crack the gathered material, and guide it to the strong magnetic plate on both sides, which helps to fully separate iron impurities.
 3. If the rare earth permanent magnet plate is used, it can almost absorb ferromagnetic objects of all sizes firmly.
 4. Import and export or other special requirements can be customized according to customers.



● **订货代码示例 Order code example**

企业代码	规格mm	磁力GS	系列	材质SUS	款型
LC	15	G14	G	04	R
LC	详见技术参数编码	G25: 2500 ----- G14: 14000	G: 管道系列	04: 304 16: 316 16L: 316L	R: 圆形接口

● **技术参数 Technical specification**

编码	规格 mm			
	ØA	B	C	H
15	150	208	208	470
20	200	208	258	470
25	250	258	358	500

● 说明 Notes

不锈钢箱体和安装于两侧的稀土磁板以及中间抽屉组成磁板式管道除铁器，用于清除从两块磁板间下落物料中的大块杂铁，尤其对于易粘结或搭桥的物料除铁效果良好。两磁极间中心位置是场强最高区域，通过限定磁板间最大间距使磁板表面达到最佳除铁效果。在磁板式管道除铁器进口处设置中心导向板，下落物料被导向两侧磁板上，也便于杂铁吸附。

The stainless steel box and the rare earth magnetic plate installed on both sides and the middle drawer constitute a magnetic plate pipe iron remover, which is used to remove large pieces of miscellaneous iron from the material falling between the two magnetic plates, especially for the material that is easy to bond or bridge the iron removal effect is good. The center position between the two magnetic poles is the highest field strength area, and the maximum distance between magnetic plates can achieve the best iron removal effect. A central guide plate is arranged at the inlet of the magnetic plate pipe iron remover, and the falling material is directed to the magnetic poles on both sides, which is also convenient for the adsorption of impurity iron.



● 应用 Applications

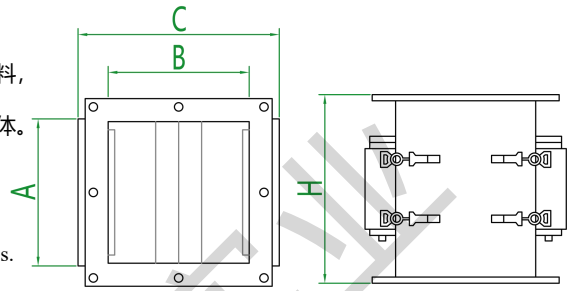
磁板式管道除铁器，可以方便的安装在封闭的生产线或者加工设备上，从一些易于结块堵塞的物料中，清除铁块，铁屑等，被广泛的应用于食品，药业，烟草，化工等领域。

Magnetic plate pipe iron remover, can be conveniently installed on the closed production line or processing equipment, from some easy to caking blocked materials, remove iron, iron filings, etc., is widely used in food, pharmaceutical, tobacco, chemical and other fields.

● 特点 Characteristics

- 1.磁板以铰链的形式安装在箱体上，拆装清洗方便。
- 2.入口处的楔形的隔板可以防止物料搭桥堵塞，甚至打裂聚集的物料，引导到两边的强磁磁板上，有助于铁杂质的充分分离。
- 3.如果使用稀土永磁磁板几乎可以牢固的吸取所有尺寸的铁磁性物体。
- 4.进出口或者其他特殊要求可以根据客户订做。

1. The magnetic plate is installed on the box in the form of hinges, disassembling and cleaning.
2. The wedge partition at the entrance can prevent material bridging blockage, or even crack the gathered material, and guide it to the strong magnetic plate on both sides, which helps to fully separate iron impurities.
3. If the rare earth permanent magnet plate is used, it can almost absorb ferromagnetic objects of all sizes firmly.
4. Import and export or other special requirements can be customized according to customers.



● 订货代码示例 Order code example

企业代码	规格mm	磁力GS	系列	材质SUS	款型
LC	20	G14	G	04	F
LC	详见技术 参数编码	G25: 2500 ----- G14: 14000	G: 管道系列	04: 304 16: 316 16L: 316L	F: 方形接口

● 技术参数 Technical specification

编码	规格 mm			
	A	B	C	H
20	208	208	322	300
25-1	258	208	322	300
25-2	258	258	372	300
30	308	258	372	300
35	358	258	372	300
40	408	258	372	300
45	458	258	372	300
50	508	258	372	300
55	558	258	372	300
60	608	258	372	300



Shanghai Lcit Industrial Co.,Ltd.
www.lcitind.com www.lcitind.cn
+86-21-57646228
880 Ziyue Road, Minhang District, Shanghai