

概述 Overview

本系列半导体器件保护用熔断器，产品符合GB/T13539.4、IEC60269-4、UL248等标准，交流50Hz、额定电压AC690/700V，额定电流5-350A，分断能力AC100kA，使用类别为aR，适用配电、轨道交通、储能、风电、充电桩、电驱动系统、功率变换系统、变频器等成套器件的短路及后备保护。

This series of semiconductor device protection fuses products comply with GB/T13539.4, IEC60269-4, UL248 and other standards, Ac 50HZ, rated voltage C690/700V, rated current 5-350A, breaking capacity AC100kA, use category aR, suitable for distribution, rail transit, energy storage, wind power, charging pile, electric drive system, power conversion system, inverter and other complete sets of devices short circuit and backup protection.



特性 Characteristics

熔断器属易耗件，由熔管、熔体、填料等组成。熔体封装于熔管内，熔管中充填高纯度石英砂作为灭弧介质，熔体两端采用点焊与端帽组成封闭管式结构。熔断体具有外型体积小、耐高温、额定容量大、分断能力高、分断速度快、温升低等优越的电气性能。

The fuse is a consumable part, composed of fuse, melt, filler, etc. The melt is enclosed in a tube filled with high purity quartz sand as an arc extinguishing medium. The two ends of the melt are spot-welded and the end caps form a closed tube structure. The fuse body has the advantages of small Specification, high temperature resistance, large rated capacity, high breaking capacity, fast breaking speed and low temperature rise.

订货型号示例 Order code example

企业代码 enterprise code	系列 series	额定电流 Rated current	额定电压 Rated voltage	规格mm Specification
↓	↓	↓	↓	↓
LC	Y	10A	7V=AC690/700V	15D





技术参数 Parameters

规格 Specification	型号 Model	额定电流 Rated current	额定电压 Rated voltage	保护类别 Protection category	螺栓 Bolt	扭矩N.m Torque
 Ø15x77mm	LCY10A7V15D	10A	AC690/700V	aR	M6	4.5±1N.m
	LCY16A7V15D	16A	AC690/700V	aR	M6	4.5±1N.m
	LCY20A7V15D	20A	AC690/700V	aR	M6	4.5±1N.m
	LCY25A7V15D	25A	AC690/700V	aR	M6	4.5±1N.m
	LCY30A7V15D	30A	AC690/700V	aR	M6	4.5±1N.m
	LCY32A7V15D	32A	AC690/700V	aR	M6	4.5±1N.m
	LCY35A7V15D	35A	AC690/700V	aR	M6	4.5±1N.m
	LCY40A7V15D	40A	AC690/700V	aR	M6	4.5±1N.m
	LCY50A7V15D	50A	AC690/700V	aR	M6	4.5±1N.m
	LCY60A7V15D	60A	AC690/700V	aR	M6	4.5±1N.m
	LCY63A7V15D	63A	AC690/700V	aR	M6	4.5±1N.m
 2-Ø15x94mm	LCY63A7V2x15D	63A	AC690/700V	aR	M8	11±1N.m
	LCY80A7V2x15D	80A	AC690/700V	aR	M8	11±1N.m
	LCY100A7V2x15D	100A	AC690/700V	aR	M8	11±1N.m
	LCY125A7V2x15D	125A	AC690/700V	aR	M8	11±1N.m
	LCY160A7V2x15D	160A	AC690/700V	aR	M8	11±1N.m

➤ 订货型号示例 Order code example

企业代码 enterprise code	系列 series	额定电流 Rated current	额定电压 Rated voltage	规格mm Specification
LC	Y	125A	7V=AC690/700V 2V=AC/DC250V	24D

➤ 技术参数 Parameters

规格 Specification	型号 Model	额定电流 Rated current	额定电压 Rated voltage	保护类别 Protection category	螺栓 Bolt	扭矩N.m Torque
 Ø24x96mm	LCY125A7V24D	125A	AC690/700V	aR	M8	11±1N.m
	LCY160A7V24D	160A	AC690/700V	aR	M8	11±1N.m
	LCY200A7V24D	200A	AC690/700V	aR	M8	11±1N.m
 Ø30x110mm	LCY225A7V30D	225A	AC690/700V	aR	M10	21±1N.m
	LCY250A7V30D	250A	AC690/700V	aR	M10	21±1N.m
	LCY315A7V30D	315A	AC690/700V	aR	M10	21±1N.m
 Ø39x108mm	LCY100A7V39D	100A	AC690/700V	aR	M10	21±1N.m
	LCY125A7V39D	125A	AC690/700V	aR	M10	21±1N.m
	LCY160A7V39D	160A	AC690/700V	aR	M10	21±1N.m
	LCY200A7V39D	200A	AC690/700V	aR	M10	21±1N.m
	LCY225A7V39D	225A	AC690/700V	aR	M10	21±1N.m
	LCY250A7V39D	250A	AC690/700V	aR	M10	21±1N.m
	LCY315A7V39D	315A	AC690/700V	aR	M10	21±1N.m
 Ø17x55mm	LCY5A2V17D	5A	AC/DC250V	aR	M6	4.5±1N.m
	LCY6A2V17D	6A	AC/DC250V	aR	M6	4.5±1N.m
	LCY10A2V17D	10A	AC/DC250V	aR	M6	4.5±1N.m
	LCY16A2V17D	16A	AC/DC250V	aR	M6	4.5±1N.m
	LCY20A2V17D	20A	AC/DC250V	aR	M6	4.5±1N.m
	LCY25A2V17D	25A	AC/DC250V	aR	M6	4.5±1N.m
	LCY30A2V17D	30A	AC/DC250V	aR	M6	4.5±1N.m
	LCY32A2V17D	32A	AC/DC250V	aR	M6	4.5±1N.m
	LCY35A2V17D	35A	AC/DC250V	aR	M6	4.5±1N.m
	LCY40A2V17D	40A	AC/DC250V	aR	M6	4.5±1N.m
	LCY50A2V17D	50A	AC/DC250V	aR	M6	4.5±1N.m
	LCY60A2V17D	60A	AC/DC250V	aR	M6	4.5±1N.m
	LCY63A2V17D	63A	AC/DC250V	aR	M6	4.5±1N.m

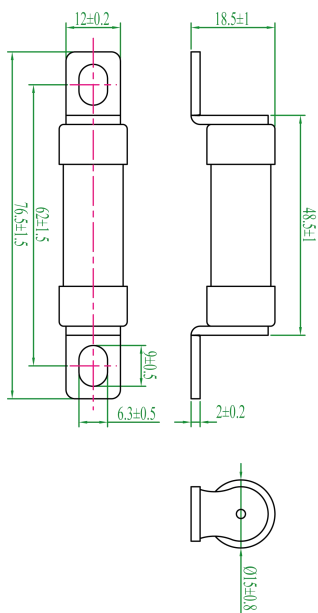
➤ 工作环境与储存 Operating ambient

- 正常工作条件: -5°C~40°C
 - 允许使用条件: -40°C~120°C
 - 正常工作条件: 海拔不超过2000m
 - 允许使用条件: 海拔不超过4500m
 - 运输过程中应避免雨雪侵袭和机械损伤
 - 产品储存温度: -40°C~70°C。
- 在40°C时相对湿度不大于70%
在30°C时相对湿度不大于80%
在20°C时相对湿度不大于90%

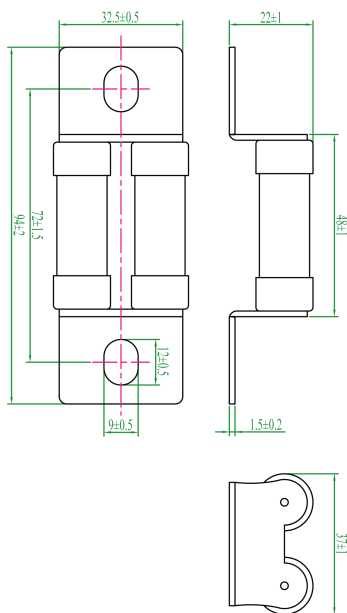
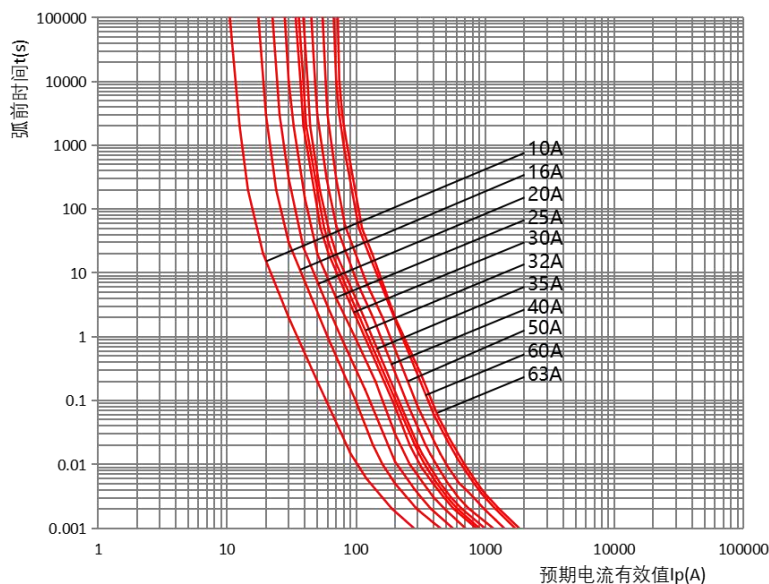
- Normal working conditions: -5°C~40°C
 - Allowable use conditions: -40°C~120°C
 - Normal working conditions: The altitude does not exceed 2000m
 - Permitted use conditions: altitude not exceeding 4500m
 - Rain, snow and mechanical damage should be avoided during transportation
 - Product storage temperature: -40°C~70°C。
- The relative humidity is not more than 70% at 40°C
The relative humidity is not more than 80% at 30°C
The relative humidity is not more than 90% at 20°C

➤ 尺寸 Size / 弧前时间-预期电流曲线 Pre-arc time-expected current curve

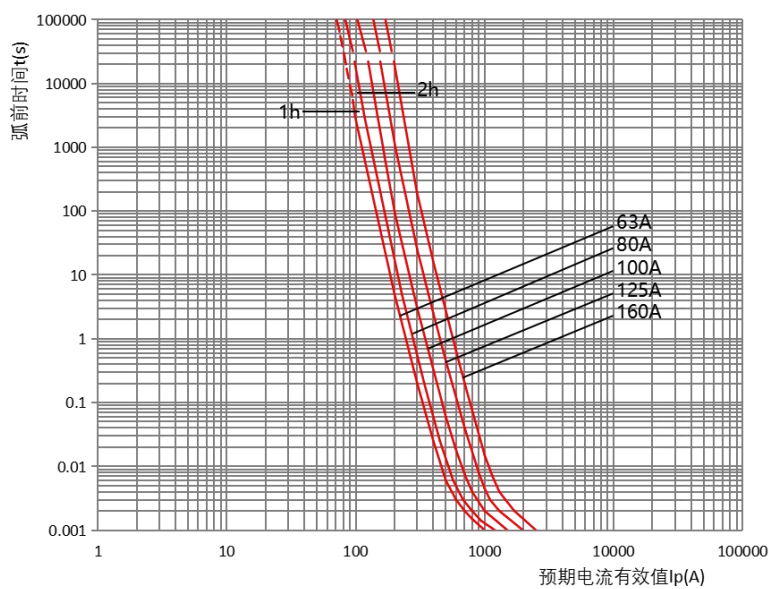
尺寸 Size **弧前时间-预期电流曲线**
Pre-arc time-expected current curve



Ø15x77mm

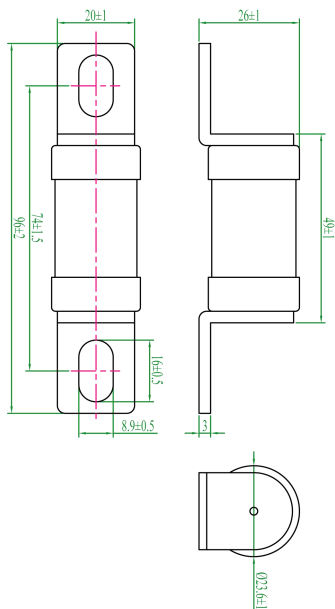


2-Ø15x94mm

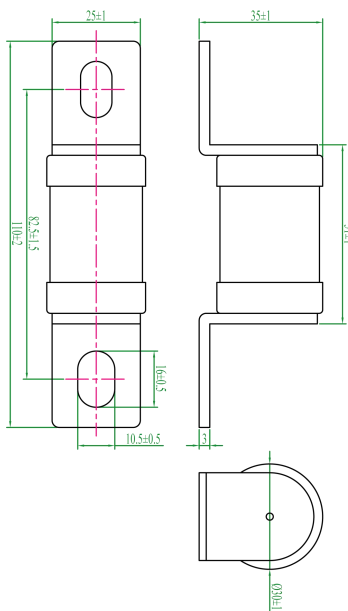
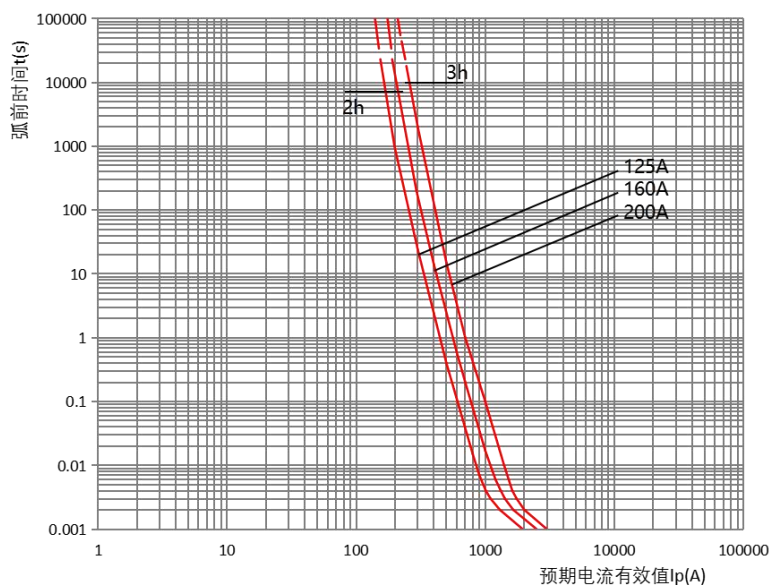


➤ 尺寸 Size / 弧前时间-预期电流曲线 Pre-arc time-expected current curve

尺寸 Size **弧前时间-预期电流曲线**
Pre-arc time-expected current curve



Ø24x96mm



Ø30x110mm

